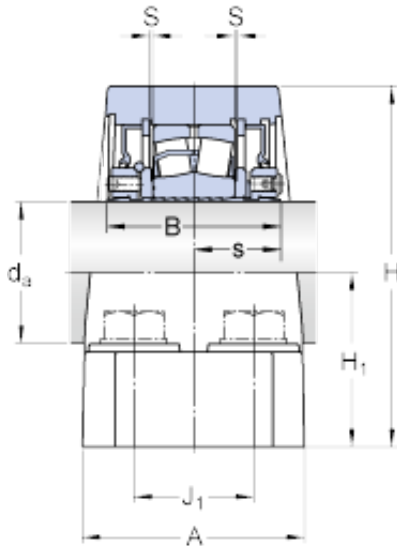




BEARING MFG. CORP.

SKF FSYE 4 N bearing units

Bearing No. FSYE 4 N



FSYE 4 N Bearing 2D drawings and 3D CAD models

| | |
|-------------------------------|-----------------------|
| Size | 101.6x114.3x80.169 mm |
| Bore Diameter | 101,6 mm |
| Outer Diameter | 114,3 mm |
| Width | 80,169 mm |
| d_a | 101.6 mm |
| A | 114.3 mm |
| B | 80.169 mm |
| H | 217.488 mm |
| H_1 | 107.95 mm |
| H_2 | 61.912 mm |
| L | 387.35 mm |
| J - max. | 333.375 mm |
| J - min. | 304.8 mm |
| J_1 | 57.15 mm |
| s | 38.497 mm |
| S | 0.794 mm |
| Basic dynamic load rating - C | 426 kN |
| Limiting speed | 2100 r/min |
| d_a | 101.6 mm |
| H_1 | 107.95 mm |
| H_2 | 61.913 mm |
| J max. | 333.375 mm |
| J min. | 304.8 mm |
| J_1 | 57.15 mm |
| Basic dynamic load rating C | 426 kN |



BEARING MFG.CORP.

| | |
|----------------------------|----------|
| Mass bearing unit | 22.5 kg |
| Attachment bolt diameter G | 19.05 mm |