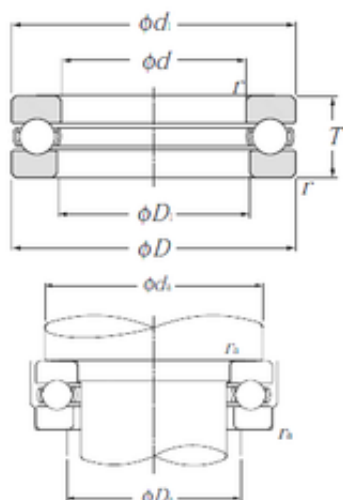




BEARING MFG. CORP.



NTN 51105 thrust ball bearings

Bearing No. 51105

Size	25x42x11 mm
Bore Diameter	25 mm
Outer Diameter	42 mm
Width	11 mm
d	25 mm
D	42 mm
T	11 mm
d1	42 mm
r min.	0,6 mm
D1	26 mm
da min.	35 mm
Da max.	32 mm
ra max.	0,6 mm
Weight	0,06 Kg
Basic dynamic load rating (C)	19,6 kN
Basic static load rating (C0)	37 kN
(Grease) Lubrication Speed	4 600 r/min
Category	Thrust Ball Bearing
Inventory	7.0
Manufacturer Name	NTN
Minimum Buy Quantity	N/A
Weight / Kilogram	0.052
EAN	4547359305890
Product Group	B00308
Rolling Element	Ball Bearing
Thrust Bearing	Yes

51105 Bearing 2D drawings and 3D CAD models



BEARING MFG. CORP.

Single or Double Direction	Single Direction
Banded	No
Cage Material	Steel
Precision Class	ABEC 1 ISO P0
Component Description	Roller Assembly Plus Raceways
Other Features	Single Row With Flat Seat
Long Description	25MM Bore 1; 26MM Bore 2; 42MM Outside Diameter; 11MM Height; Ball Bearing; Single Direction; Not Banded; Steel Cage; ABEC 1 ISO P0 Precision
Inch - Metric	Metric
Category	Thrust Ball Bearings
UNSPSC	31171552
Harmonized Tariff Code	8482.10.50.08
Noun	Bearing
Keyword String	Ball Thrust
Manufacturer URL	http://www.ntnamerica.com
Manufacturer Item Number	51105
Weight / LBS	0.13228
Bore 2	1.024 Inch 26 Millimeter
Height	0.433 Inch 11 Millimeter
Outside Diameter	1.654 Inch 42 Millimeter
Overall Height with Aligning Washer	0 Inch 0 Millimeter
Bore 1	0.984 Inch 25 Millimeter
bore diameter:	25 mm
dynamic load capacity:	19600 N
outside diameter:	42 mm
operating temperature range:	-40 to 120 ° C
overall width:	11 mm



BEARING MFG.CORP.

maximum rpm:	6500 rpm
thrust bearing type:	Single-Direction
bearing material:	High Carbon Chrome Steel
outside diameter design:	Straight
cage material:	Resin
separable or banded:	Separable
fillet radius:	0.6 mm
precision rating:	ISO Class 0
series:	511
static load capacity:	37000 N
manufacturer product page:	Click here