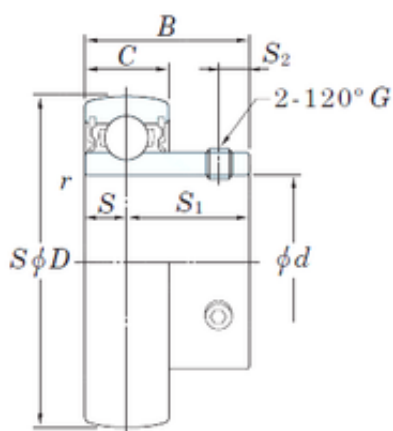




## BEARING MFG. CORP.

23,8125 mm x 52 mm x 34,1 mm KOYO  
UC205-15L2 deep groove ball bearings



Bearing No. UC205-15L2

Size	23.8125x52x34.1 mm
Bore Diameter	23,8125 mm
Outer Diameter	52 mm
Width	34,1 mm
d	23,8125 mm
D	52 mm
B	34,1 mm
C	17 mm
S1	19,8 mm
r min.	1 mm
C	5 mm
S	14,3 mm
S2	5,5 mm
Thread (G) - 1/4-28UNF	1/428UNF
Weight	0,21 Kg
Basic dynamic load rating (C)	14 kN
Basic static load rating (C0)	7,85 kN

UC205-15L2 Bearing 2D drawings and 3D CAD models